

VT 1780 PTZC HD camera system brochure



VT 1780 PTZC HD FullHD high radiation resistant inspection camera

High radiation resistant & watertight FullHD camera with pan and tilt function with slipping clutch and zoom for fuel element inspection

Features

- ▶ Robust design in anodized aluminum & stainless steel
- ▶ Pan & tilt including slipping clutch
- ▶ High radiation tolerant
- ▶ Zoom lens 30x optical / 12x digital
- ▶ 1080i/60 fps Full-HD resolution
- ▶ Watertight up to 50 m

Applications

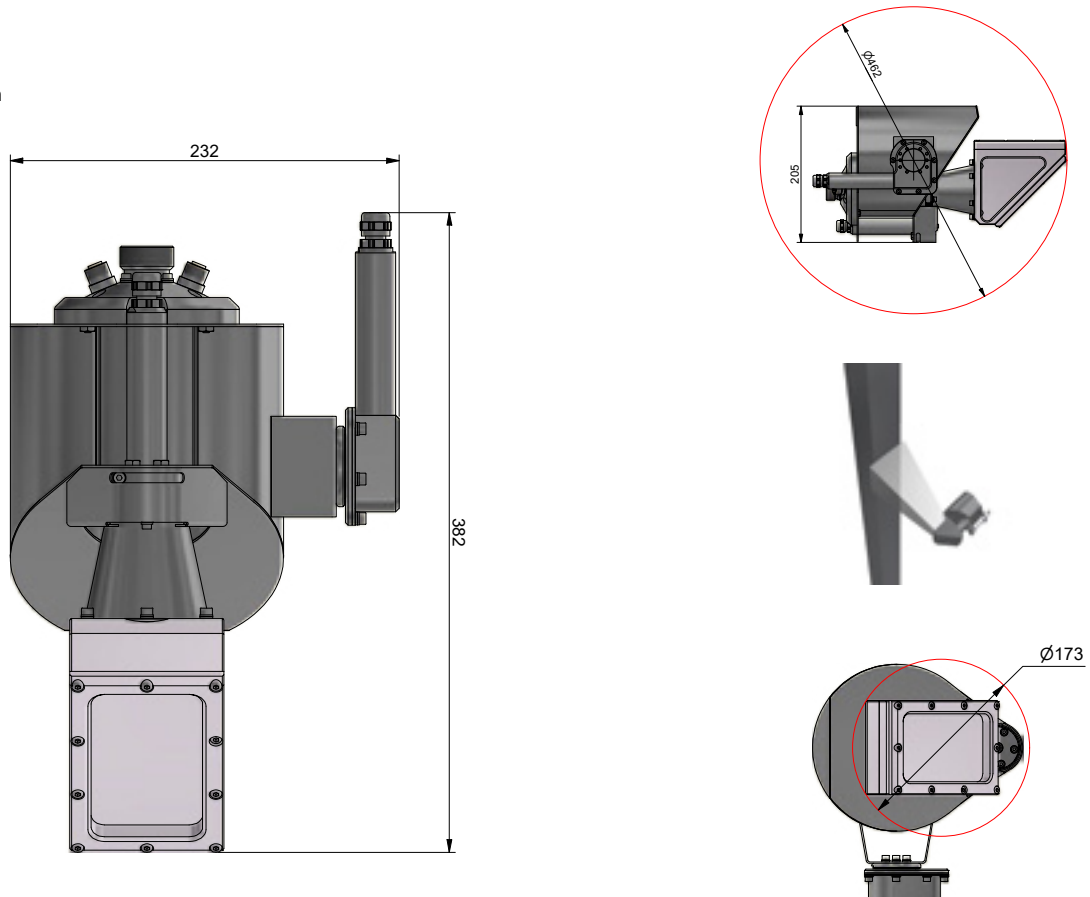
- ▶ Inspections and monitoring applications in hard to reach areas
- ▶ Nuclear applications - e.g. fuel element inspection

Technical specifications – VT 1780 PTZC HD camera

This document is for general information only,
please consult the system manual for detailed specifications

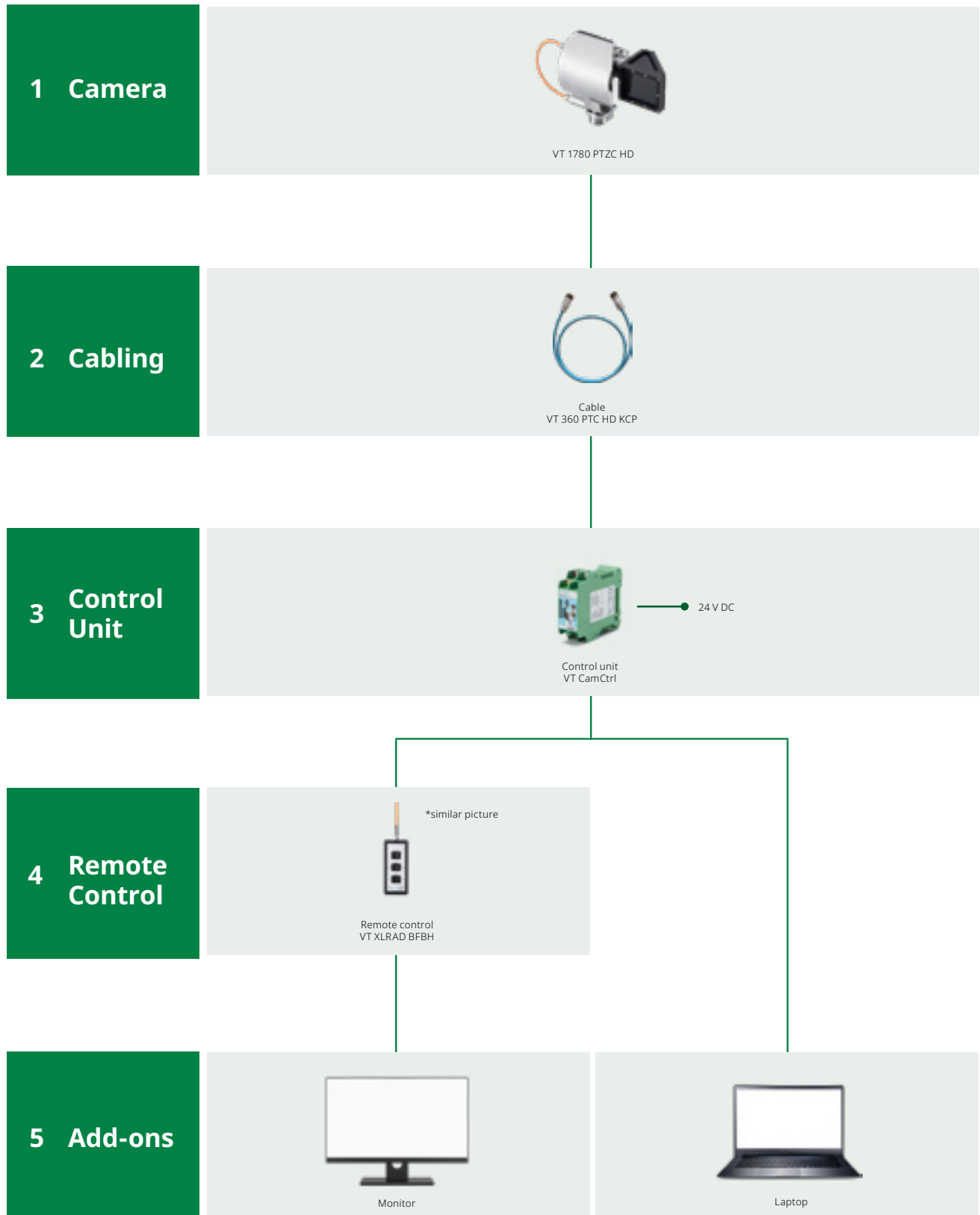
| | |
|---|---|
| Housing | anodized aluminum & stainless steel |
| Image sensor / number of effective pixels | CMOS / 2130k pixels |
| Output pixels (HxV) | 1920x1080 |
| Signal system | 1080i/60 |
| Minimum illumination | 0.01 lx |
| Optical zoom | 30x |
| Digital zoom | 12x |
| Focus | automatic or manual |
| FOV | --- |
| Minimum object distance | --- |
| Video output | Y/Pb/Pr |
| Range - PAN | 20° (± 10°) / can be adapted according to application |
| Range - TILT | 90° (± 45°) / can be adapted according to application |
| Lighting | n/a |
| Luminous flux | --- |
| Dimension (ø x L) | 382x232x205 mm |
| Weight | 30 kg |
| Operating temperature | --- |
| Water tight / water depth | 5 bar / 50 m |
| Radiation tolerant | 17,200 rad/h (172 Gy/h) |
| Total dose | 530,000 rad (5,300 Gy) |
| Optionals | --- |
| Features | integrated slipping clutch for pan & tilt |

* unit in mm



Setup

Possible combinations





DEKRA Visatec GmbH

Gewerbepark 7

87477 Sulzberg/See Germany

Tel. + 49.8376.9215 0

info.dvg@dekra.com

[dekra-visatec.com](https://www.dekra-visatec.com)