

# VT 60 PTZC HD camera system brochure



## VT 60 PTZC HD inspection camera

**Radiation resistant & watertight FullHD camera with integrated dimmable lighting, pan and tilt function, with slipping clutch and zoom function**

### Features

- ▶ Robust design in anodized aluminum & stainless steel
- ▶ Pan & tilt including slipping clutch
- ▶ Radiation tolerant
- ▶ Zoom lens 10x optical / 16x digital
- ▶ 1080i/60 fps Full-HD resolution
- ▶ Integrated LED lighting
- ▶ Watertight up to 50 m

### Applications

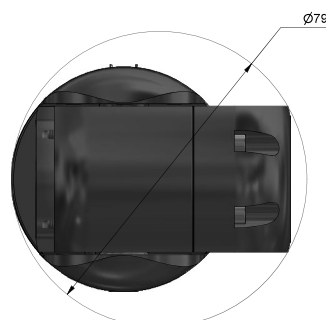
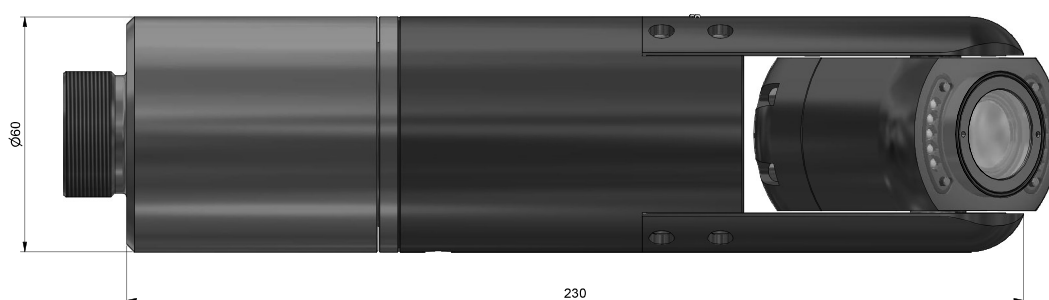
- ▶ All underwater inspections and monitoring applications in hard to reach areas
- ▶ Nuclear applications (refueling - offloading - maintenance)
- ▶ Industrial applications (offshore or deep well inspections)
- ▶ Decommissioning applications (pipe and tank inspections)

## Technical specifications – VT 60 PTZC HD camera

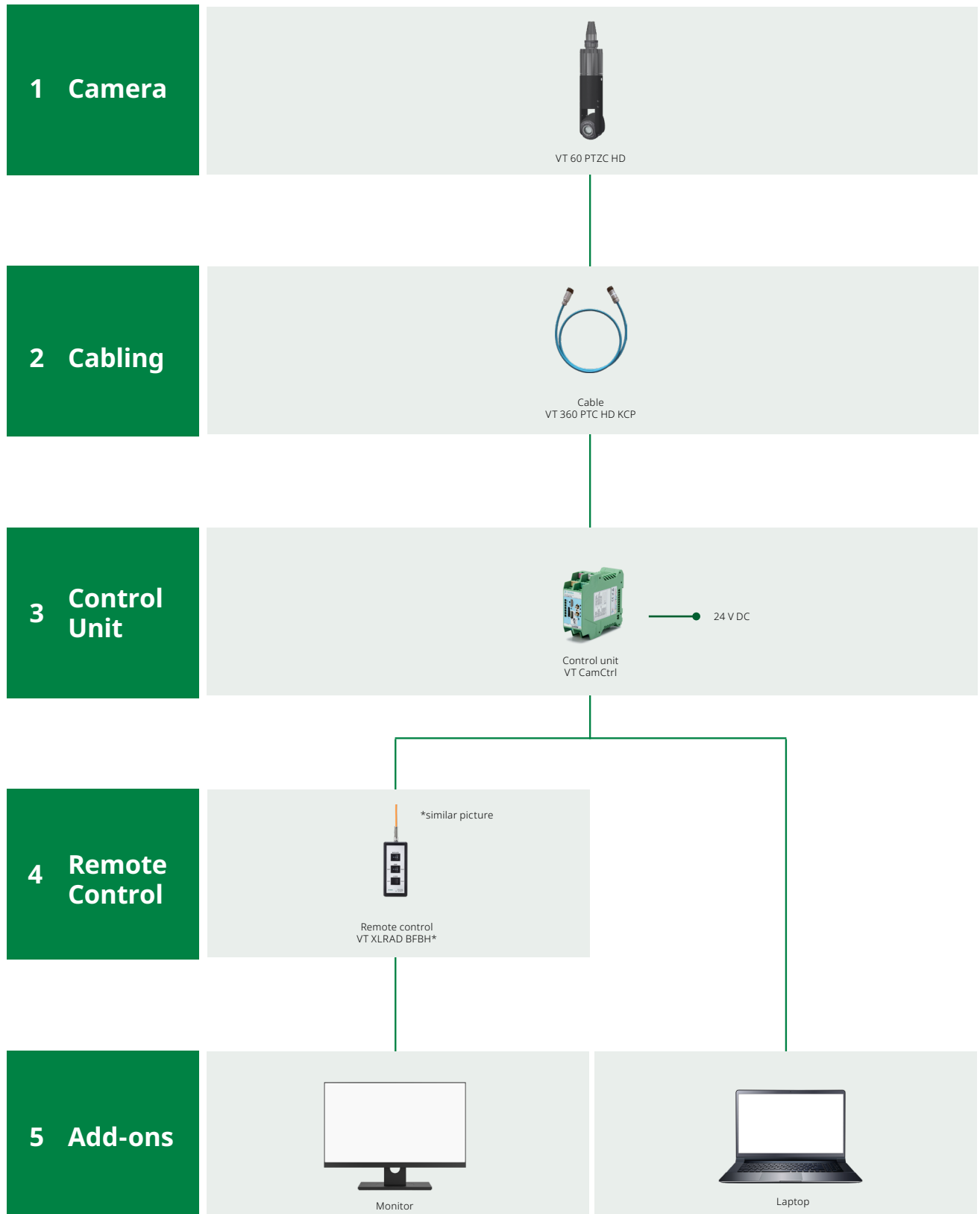
This document is for general information only,  
please consult the system manual for detailed specifications

Housing	anodized aluminum & stainless steel
Image sensor / number of effective pixels	1/3" CMOS
Output pixels (HxV)	1920x1080
Signal system	1080i/60
Minimum illumination	0.5 lx
Optical zoom	10x
Digital zoom	16x
Focus	automatic or manual
FOV	58.2° (wide) to 6.9° (tele)
Minimum object distance	10 mm (wide) to 800 mm (tele)
Video output	Y/Pb/Pr
Range - PAN	infinite
Range - TILT	314° (± 157°)
Lighting	4 W
Luminous flux	---
Dimension (ø x L)	60x230 mm
Weight	1.5 kg
Operating temperature	---
Water tight / water depth	5 bar / 50 m
Radiation tolerant	5.110rad/h (51,10Gy/h)
Total dose	19.160rad (191,60Gy)
Optionals	---
Features	integrated slipping clutch for pan & tilt

\* unit in mm



# Setup

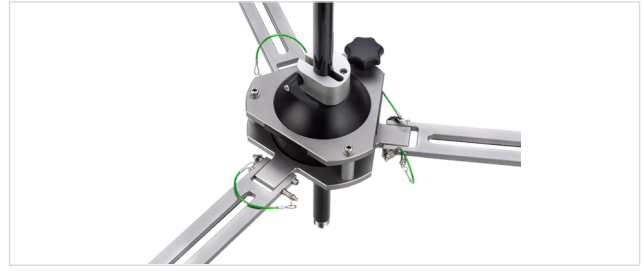


## Accessories



### VT 29 carbon poles - 29 or 42 mm diameter

Connectable carbon poles for deployment of cameras and tools - standard lengths are 1 and 2 m



### Manhole holder

Versatile positioner for 29 or 42 mm carbon poles



### VT GH Vario tool holder

Variable railing bracket with stainless steel adapter for connecting the camera to 29 or 42 mm diameter carbon poles

## DEKRA Visatec GmbH

Gewerbepark 7  
87477 Sulzberg/See Germany  
Tel. + 49.8376.9215 0  
info.dvg@dekra.com

[dekra-visatec.com](http://dekra-visatec.com)