

# VT 780 PTZ HD camera system brochure



## VT 780 PTZ HD – FullHD inspection camera

**Radiation resistant & watertight FullHD camera with integrated dimmable lighting, pan and tilt function, with slipping clutch and zoom function**

### Features

- ▶ Robust design in anodized aluminum
- ▶ Pan & tilt including slipping clutch
- ▶ Radiation tolerant
- ▶ Zoom lens 30x optical / 12x digital
- ▶ 1080i/60 fps Full-HD resolution
- ▶ Integrated LED lighting
- ▶ Watertight up to 50 m
- ▶ Optional with 2 line lasers

### Applications

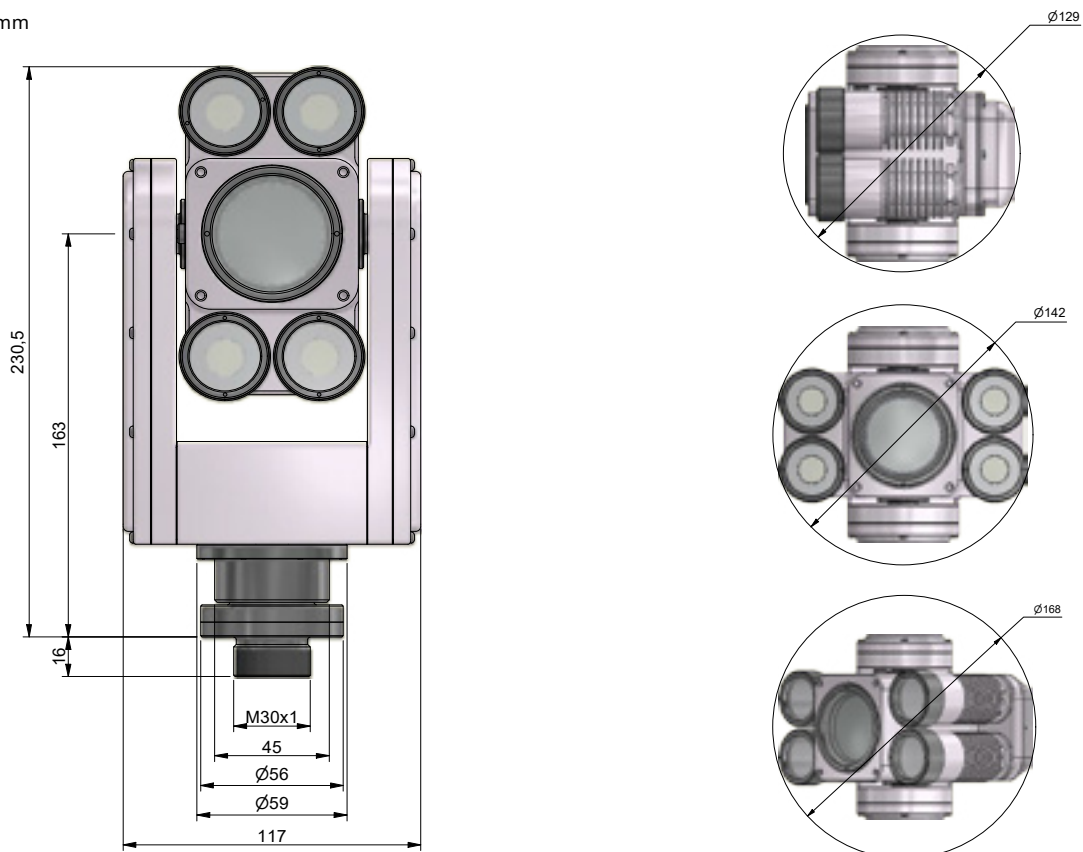
- ▶ All underwater inspections and monitoring applications
- ▶ Nuclear applications (refueling - offloading - maintenance)
- ▶ Industrial applications
- ▶ Decommissioning applications

## Technical specifications – VT 780 PTZ HD camera

This document is for general information only,  
please consult the system manual for detailed specifications

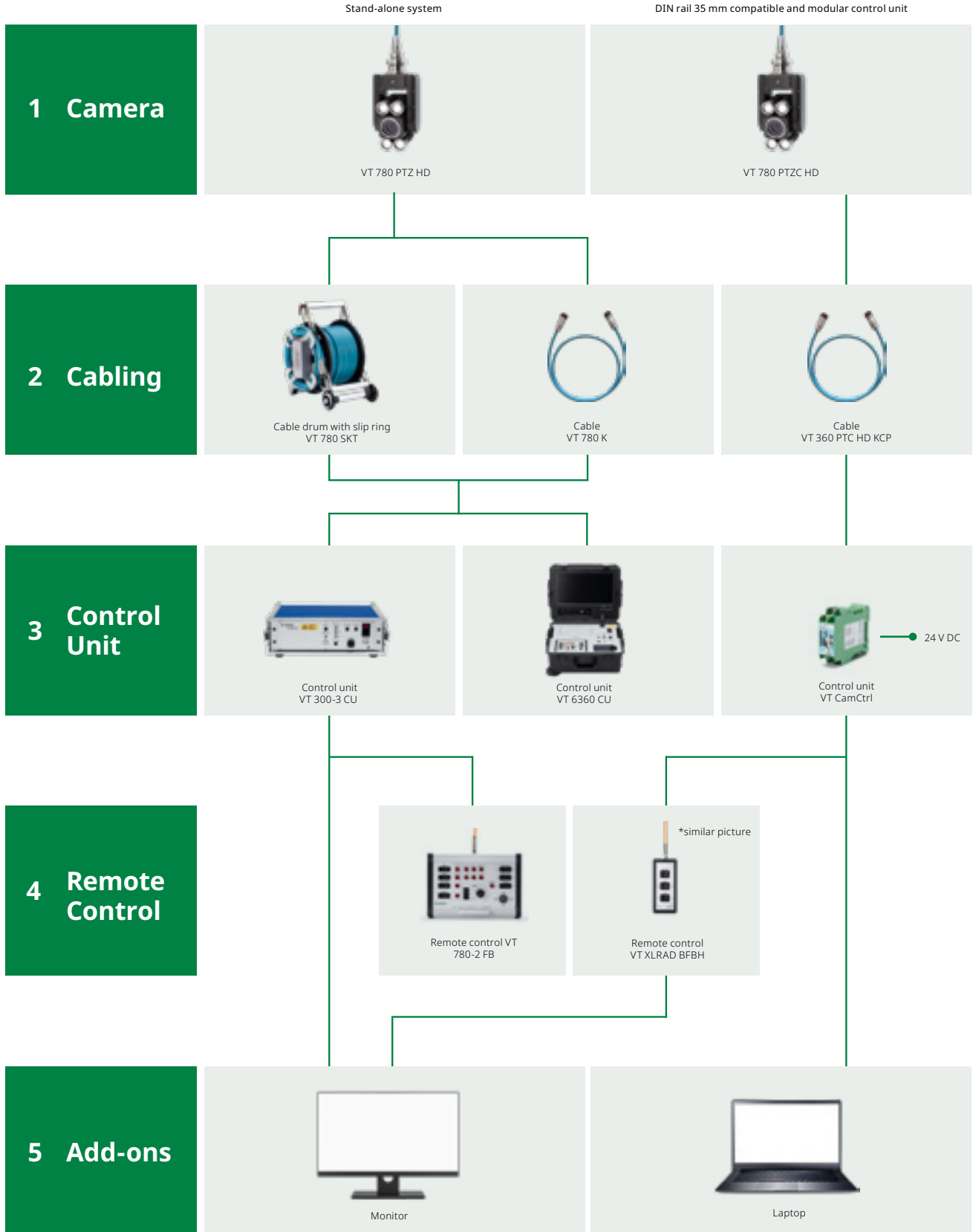
Housing	anodized aluminum
Image sensor / number of effective pixels	CMOS / 2130k pixels
Output pixels (HxV)	1920x1080
Signal system	1080i/60
Minimum illumination	0.01 lx
Optical zoom	30x
Digital zoom	12x
Focus	automatic or manual
FOV	63.7° (wide) to 2.3° (tele)
Minimum object distance	10 mm (wide) to 1200 mm (tele)
Video output	Y/Pb/Pr
Range - PAN	infinite
Range - TILT	220° (± 110°)
Lighting	4x LED spots
Luminous flux	~ 6,000 lm
Dimension (LxWxø)	246.5x117x129 mm
Weight	2.8 kg
Operating temperature	---
Water tight / water depth	5 bar / 50 m
Radiation tolerant	7,000 rad/h (70 Gy/h)
Total dose	42,900 rad (420 Gy)
Optionals	laser modul for measurement applications
Features	integrated slipping clutch for pan & tilt

\* unit in mm



# Setup

## Possible combinations

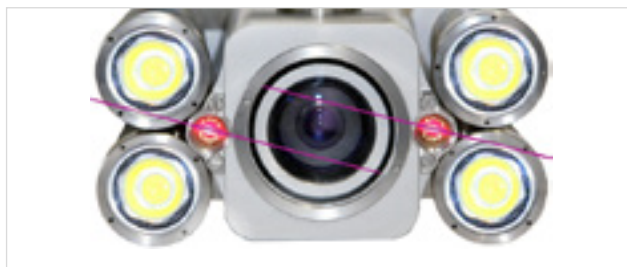


## Optional equipment and accessories



### VT 780 PTZL HD camera with 6-LED setup

Camera equipped with 4 floodlights for proper illumination of the surroundings and 2 spots for perfect lighting conditions in the distance



### VT 780 PTZL HD camera with laser module

Laser generator to display reference lines for measurement software (available only with aluminum body)

## Accessories



### VT 29 carbon poles - 29 or 42 mm diameter

Connectable carbon poles for deployment of cameras and tools - standard lengths are 1 and 2 m



### Manhole holder

Versatile positioner for 29 or 42 mm carbon poles



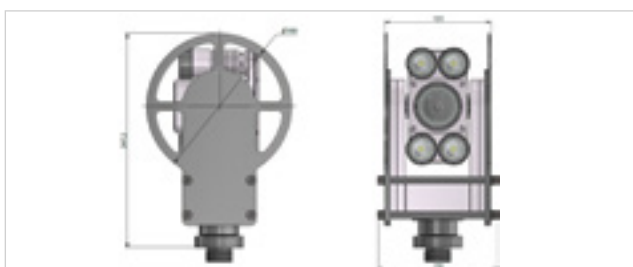
### VT 72 holder

Holder for mounting the camera with VT 29 GR carbon poles



### VT GH Vario tool holder

Variable railing bracket with stainless steel adapter for connecting the camera to 29 or 42 mm diameter carbon poles



### Protective bracket

Stainless steel protection bracket to protect the camera from external forces

## DEKRA Visatec GmbH

Gewerbepark 7  
87477 Sulzberg/See Germany  
Tel. + 49.8376.9215 0  
info.dvg@dekra.com

[dekra-visatec.com](http://dekra-visatec.com)