

VT XLRAD-4 PT *camera system* brochure



VT XLRAD-4 PT high radiation resistant inspection camera

High radiation resistant & watertight tube camera with integrated dimmable lighting, pan and tilt function, with slipping clutch and zoom function

Applications

- ▶ Nuclear applications - e.g. reactor inspection
- ▶ Decommissioning applications - e.g. pipe and tank inspections, reactor inspection/hot cells
- ▶ All underwater inspections and monitoring applications in hard to reach areas

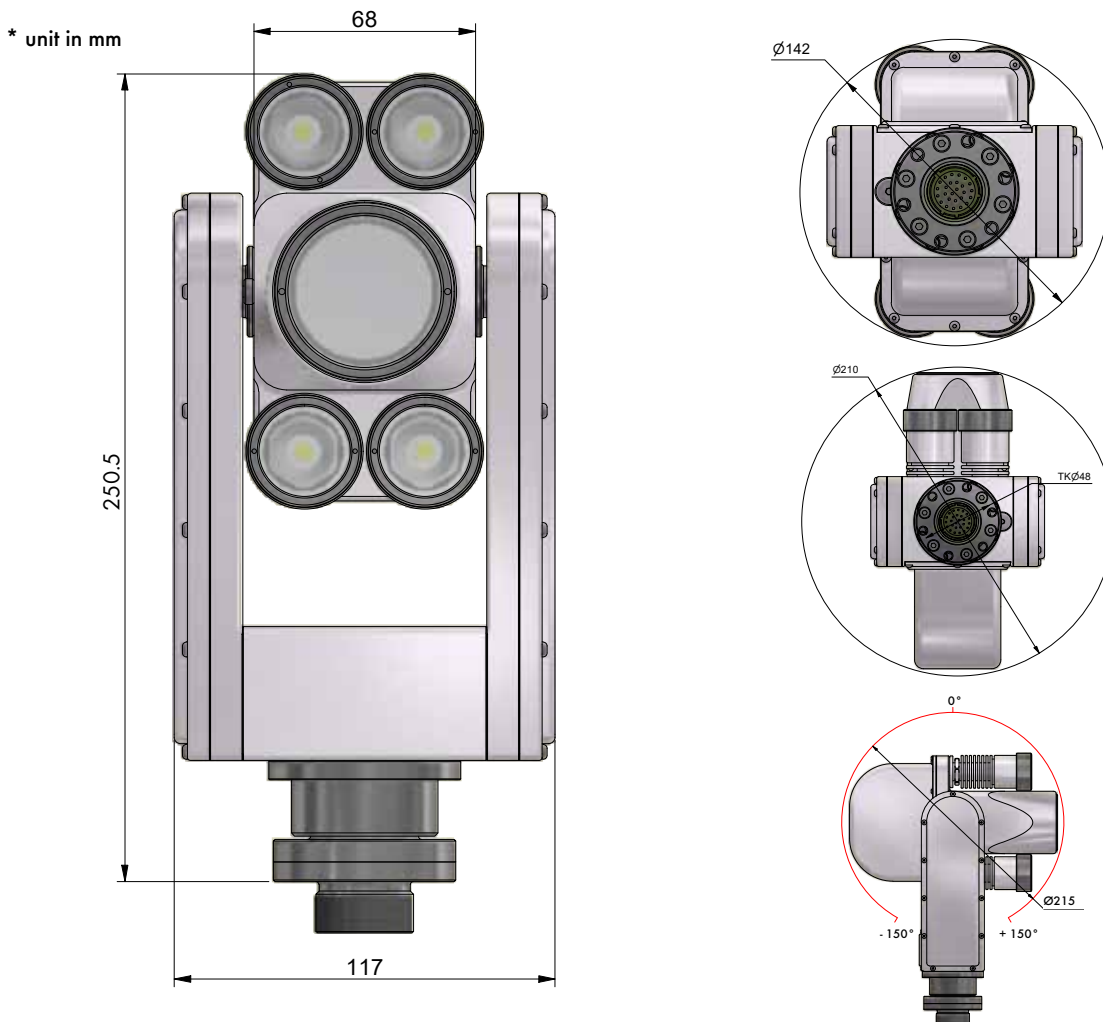
Features

- ▶ Robust design in anodized aluminum
- ▶ Pan & tilt including slipping clutch
- ▶ High radiation resistant
- ▶ Zoom lens 3x optical
- ▶ Pal signal system
- ▶ Integrated LED lighting
- ▶ Watertight up to 50 m

Technical specifications - VT XLRAD-4 PT camera system

This document is for general information only, please consult the system manual for detailed specifications

Housing	anodized aluminum
Image sensor / number of effective pixels	Vidicon pic-up tube 2/3"
Horizontal resolution	> 460 TV lines
Signal system	PAL (without bust, monochrom)
Light sensitivity	5 Lux
Optical zoom	3x
Digital zoom	n/a
Focus	manual (motorized)
FOV	---
Minimum object distance	50 mm (depending on system configuration)
Video output	BAS 1VPP @ 75 Ohm
Range - PAN	infinite
Range - TILT	300° (± 150°)
Lighting	4x LED spots
Luminous flux	~ 6,000 lm
Dimension (LxWxø)	266.5x117x142 mm
Weight	3.5 kg
Operating temperature	---
Water tight / water depth	5 bar / 50 m
Radiation tolerant	500,000 rad/h (5,000 Gy/h)
Total dose	110 Mrad (1.1 MGy)
Optionals	---
Features	integrated slipping clutch for pan & tilt



Setup

Possible combinations



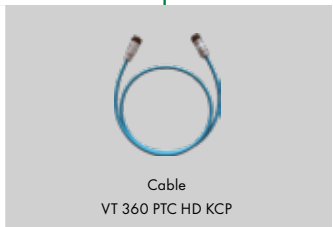
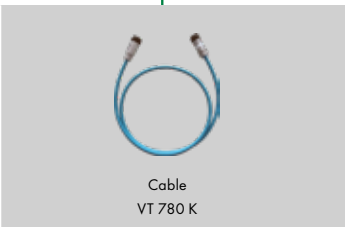
Stand-alone system

DIN rail 35 mm compatible and modular control unit

1 Camera



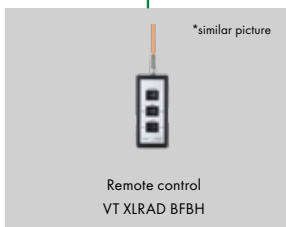
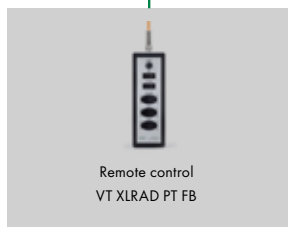
2 Cabling



3 Control unit



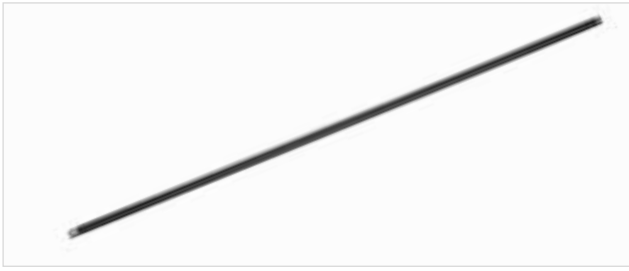
4 Remote control



5 Add-ons



Accessories



VT 29 carbon poles - 29 or 42 mm diameter

Connectable carbon poles for deployment of cameras and tools - standard lengths are 1 and 2 m



Manhole holder

Versatile positioner for 29 or 42 mm carbon poles



VT 72 holder

Holder for mounting the camera with VT 29 GR carbon rods



VT GH Vario tool holder

Variable railing bracket with stainless steel adapter for connecting the camera to 29 or 42 mm diameter carbon poles

DEKRA Visatec GmbH

Gewerbepark 7, 87477 Sulzberg/See
Germany
Tel. + 49.8376.9215 0
info.dvg@dekra.com

www.dekra-visatec.com

