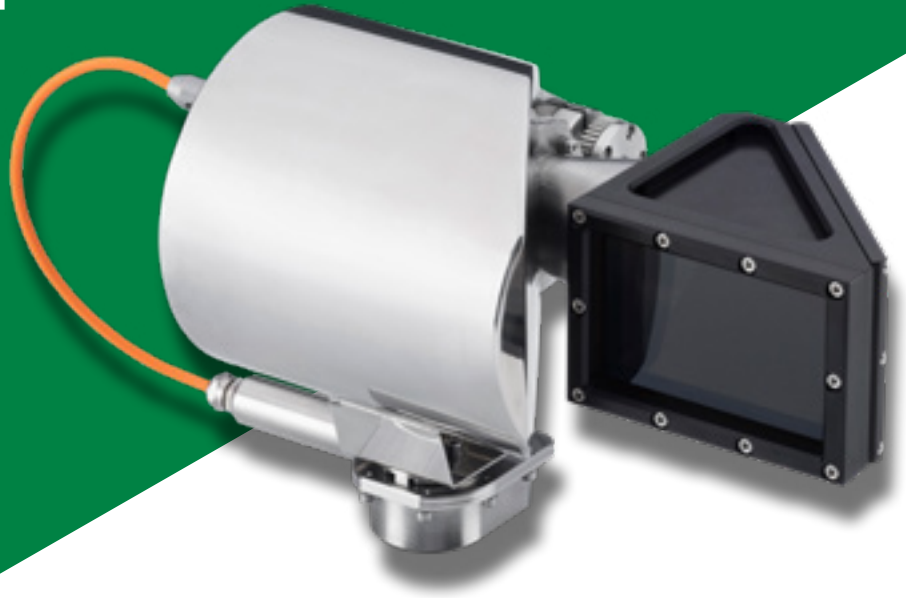


VT 1780 PTZC HD camera system brochure



VT 1780 PTZC HD FullHD high radiation resistant inspection camera

High radiation resistant & watertight FullHD camera with pan and tilt function with slipping clutch and zoom for fuel element inspection

Features

- ▶ Robust design in anodized aluminum & stainless steel
- ▶ Pan & tilt including slipping clutch
- ▶ High radiation tolerant
- ▶ Zoom lens 30x optical / 12x digital
- ▶ 1080i/60 fps Full-HD resolution
- ▶ Watertight up to 50 m

Applications

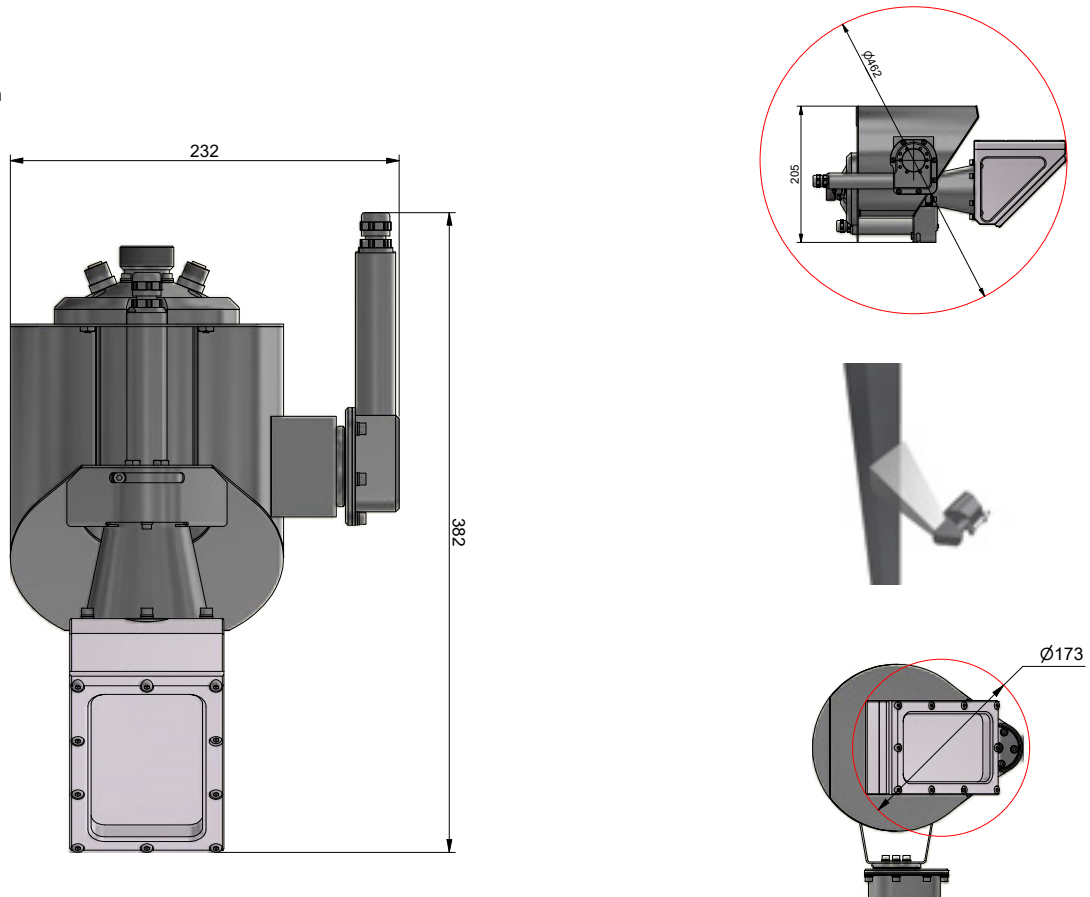
- ▶ Inspections and monitoring applications in hard to reach areas
- ▶ Nuclear applications - e.g. fuel element inspection

Technical specifications – VT 1780 PTZC HD camera

This document is for general information only,
please consult the system manual for detailed specifications

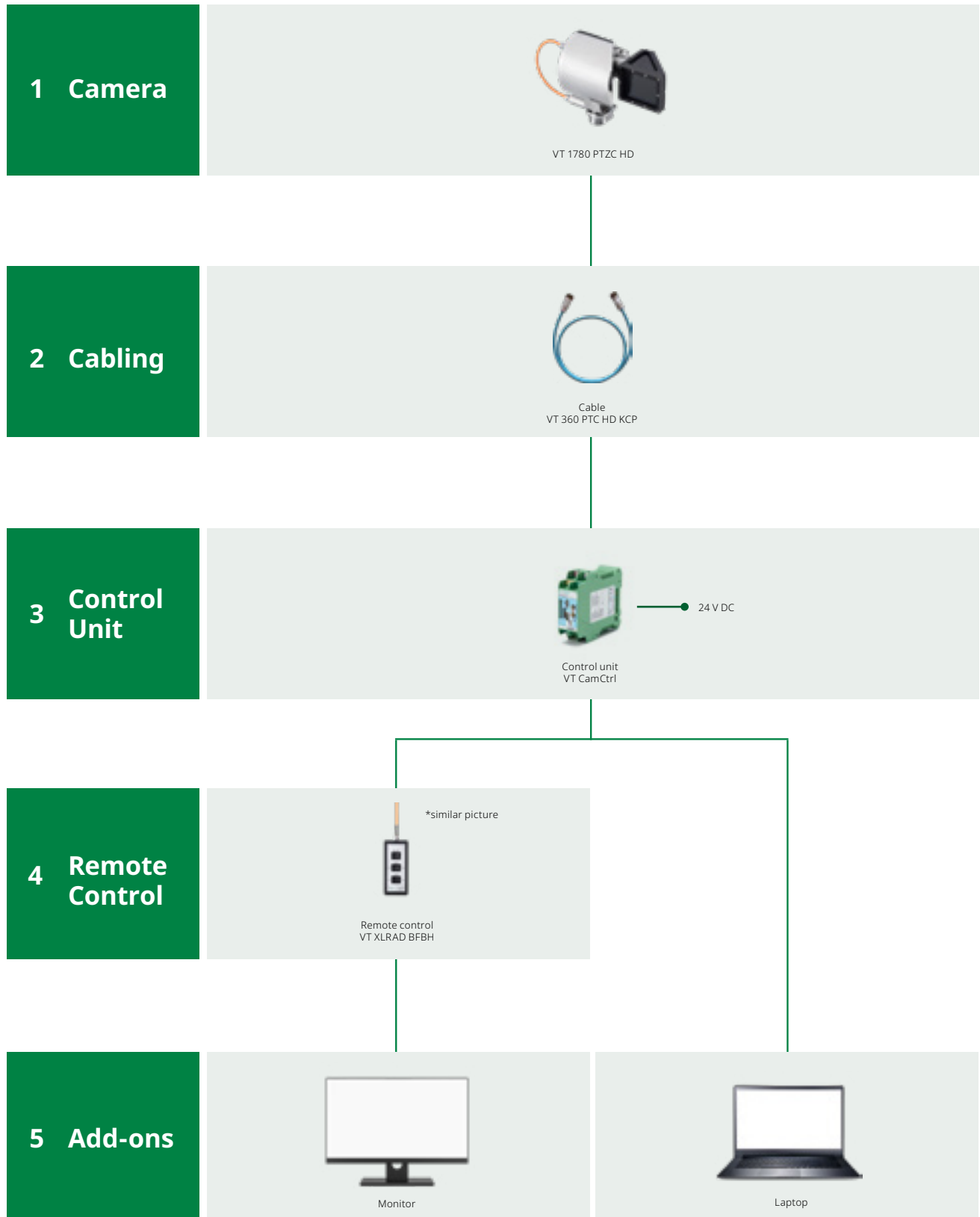
Housing	anodized aluminum & stainless steel
Image sensor / number of effective pixels	CMOS / 2130k pixels
Output pixels (HxV)	1920x1080
Signal system	1080i/60
Minimum illumination	0.01 lx
Optical zoom	30x
Digital zoom	12x
Focus	automatic or manual
FOV	---
Minimum object distance	---
Video output	Y/Pb/Pr
Range - PAN	20° (± 10°) / can be adapted according to application
Range - TILT	90° (± 45°) / can be adapted according to application
Lighting	n/a
Luminous flux	---
Dimension (ø x L)	382x232x205 mm
Weight	30 kg
Operating temperature	---
Water tight / water depth	5 bar / 50 m
Radiation tolerant	17,200 rad/h (172 Gy/h)
Total dose	530,000 rad (5,300 Gy)
Optionals	---
Features	integrated slipping clutch for pan & tilt

* unit in mm



Setup

Possible combinations





DEKRA Visatec GmbH

Gewerbepark 7
87477 Sulzberg/See Germany
Tel. + 49.8376.9215 0
info.dvg@dekra.com

[dekra-visatec.com](https://www.dekra-visatec.com)