



VT 34 PT V02 / VT 36 PT V02 **camera system** brochure



VT 34 PT V02 / VT 36 PT V02 inspection camera

Extremely compact & watertight SD camera with dimmable lighting, pan and tilt function, available with an outer diameter of 34 mm or 36 mm

Applications

- ▶ All visual inspections and monitoring applications
- ▶ Nuclear, oil & gas, chemical and petrochemical inspections
- ▶ Industrial applications
- ▶ Decommissioning applications

Features

- ▶ Small and robust design in stainless steel/acrylic glass
- ▶ Pan & tilt
- ▶ Radiation resistant
- ▶ PAL/NTSC
- ▶ Integrated LED lighting
- ▶ VT 34 PT V02 version watertight up to 5 bar/50 meters
- ▶ VT 36 PT V02 version watertight up to 50 bar/500 meters

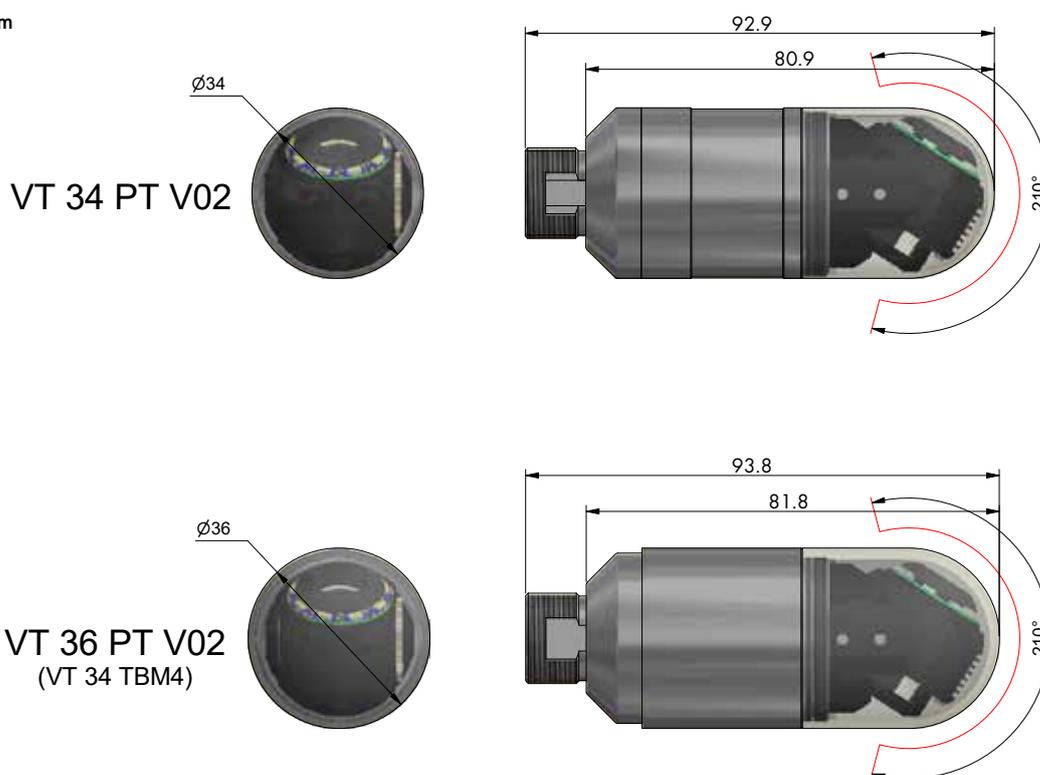
Technical specifications - VT 34 PT V02 / VT 36 PT V02 camera

This document is for general information only, please consult the system manual for detailed specifications

Housing	stainless steel
Image sensor / number of effective pixels	1/3" CCD
Horizontal resolution	600 TVL
Signal system	PAL/NTSC
Minimum illumination	0.08 lx
Optical zoom	n/a
Digital zoom	n/a
Focus	manual (motorized)
FOV	~50°
Minimum object distance	---
Video output	---
Range - PAN	infinite
Range - TILT	210° (± 105°)
Lighting	9x LED
Luminous flux	~ 90 lm
Dimension (ø x L)	34x92.9 mm (VT 34 PT V02) / 36x93.8 mm (VT 36 PT V02)
Weight	--- kg
Operating temperature	---
Water tight / water depth	5 bar / 50 m (VT 34 PT V02) / 50 bar / 500 m (VT 36 PT V02)
Radiation tolerant	3,300 rad/h (33 Gy/h)*
Total dose	42,900 rad (429 Gy)
Optionals	---
Features	---

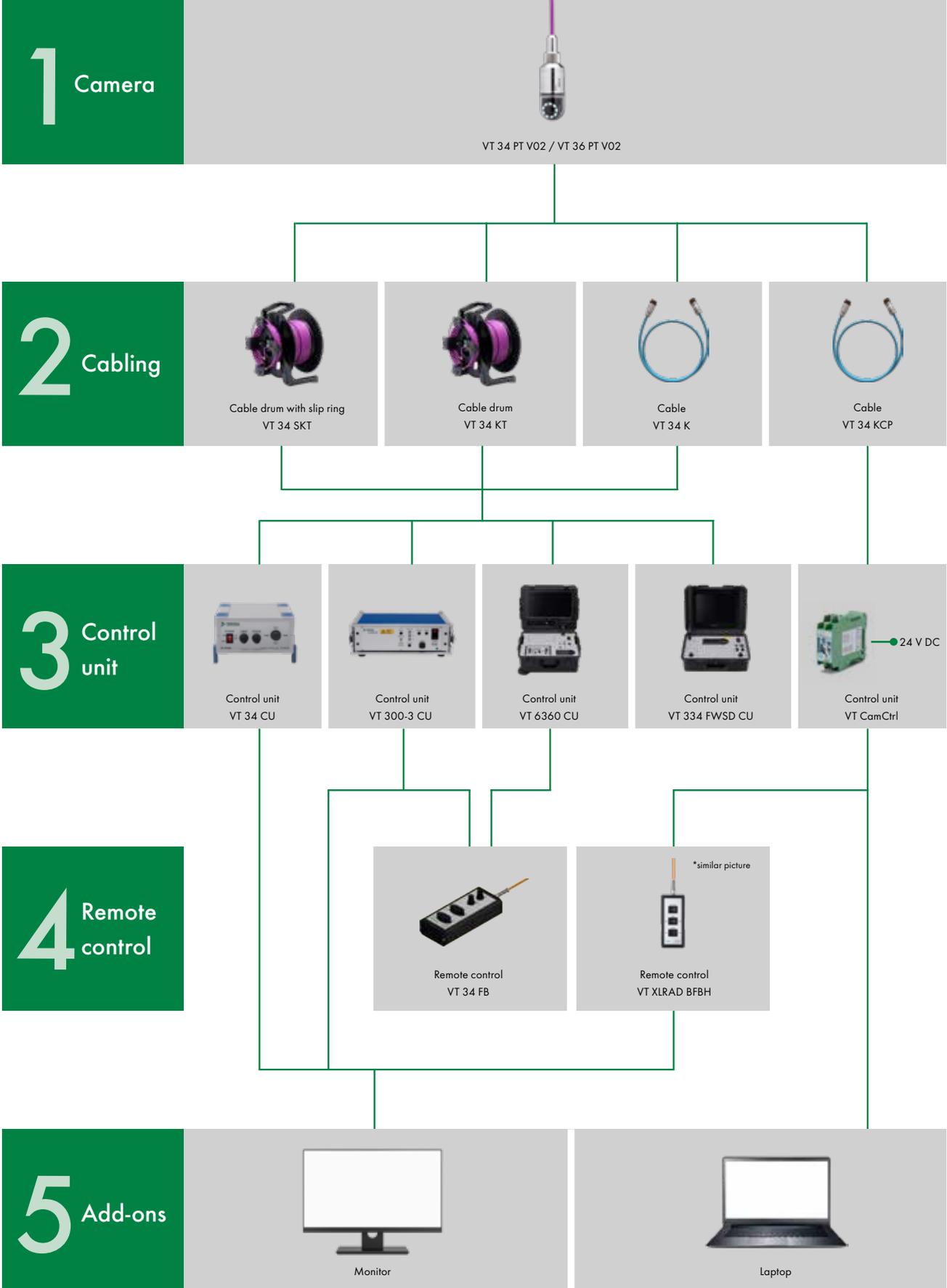
*many ray pixels

* unit in mm



Setup

Possible combinations



Accessories



VT 29 carbon poles - 29 or 42 mm diameter

Connectable carbon poles for deployment of cameras and tools - standard lengths are 1 and 2 m



VT 34 PT holder

Bracket with quick-release coupling for connecting the camera to the carbon pole



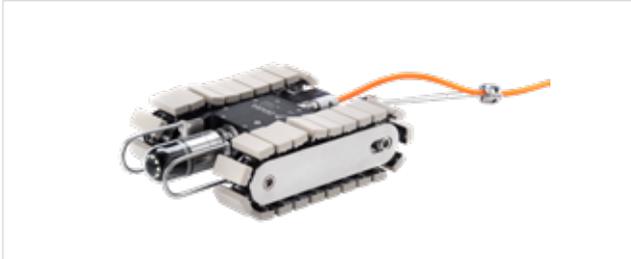
VT GH Vario tool holder

Variable railing bracket with stainless steel adapter for connecting the camera to 29 or 42 mm diameter carbon poles



Manhole holder

Versatile positioner for 29 or 42 mm carbon poles



VT 34 MFW crawler

Extremely compact, watertight and manoeuvrable rover with integrated PT camera and various drive options in different sizes



VT 34 dome protection

Dome protection to protect the camera from external forces

DEKRA Visatec GmbH
Gewerbepark 7, 87477 Sulzberg/See
Germany
Tel. + 49.8376.9215 0
info.dvg@dekra.com

www.dekra-visatec.com

