

VT 400 PL LED lighting system brochure



VT 400 PL LED nuclear lighting system

Radiation resistant lighting system for perfect illumination of large spent fuel pools from the air and under water

Features

- ▶ High illumination with an output of 47,500 lm
- ▶ Watertight up to 50 m
- ▶ Overheating protection
- ▶ LED light continuously dimmable
- ▶ High radiation resistant with optional non-browning glass
- ▶ Various frames and holders available, according to customer needs

Applications

- ▶ Powerful, mobile lighting unit for illumination of all underwater and in-air applications where optimal visibility is needed
- ▶ Perfectly suited for all manners of long illumination tasks in reactor vessels or fuel pools
- ▶ Due to its internal temperature control features, the VT 400 PL can also be used in-air with automatically controlled illumination intensity
- ▶ The FME approved design guarantees no loose parts in pool water

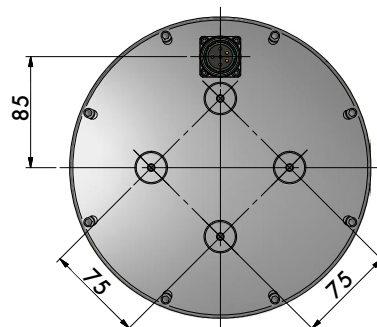
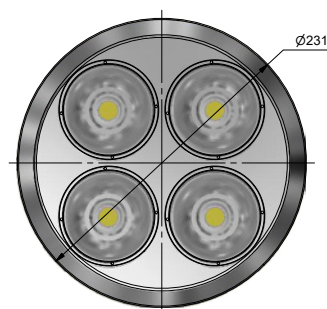
Technical specifications – VT CamCtrl control unit

**This document is for general information only,
please consult the system manual for detailed specifications**

Material	stainless steel
Dimension (ø x L)	231x96 mm
Weight	6.4 kg
Watertight	5 bar / 50 m
Lighting	4x LED
Luminous flux	47,500 lm
Automatic overheat protection	Step 1 over 80°C = 11,000 lm tep 2 over 90°C = 6,000 lm
Color temperaure	5,700 K
Lighting beam	36°
Operating temperature water	---
Operating temperature air	---
Radiation tolerant	192,500 rad/h (1,925 Gy/h)*
Total dose	4,810,000 rad (48,100 Gy)
Optionals	non-browning glass

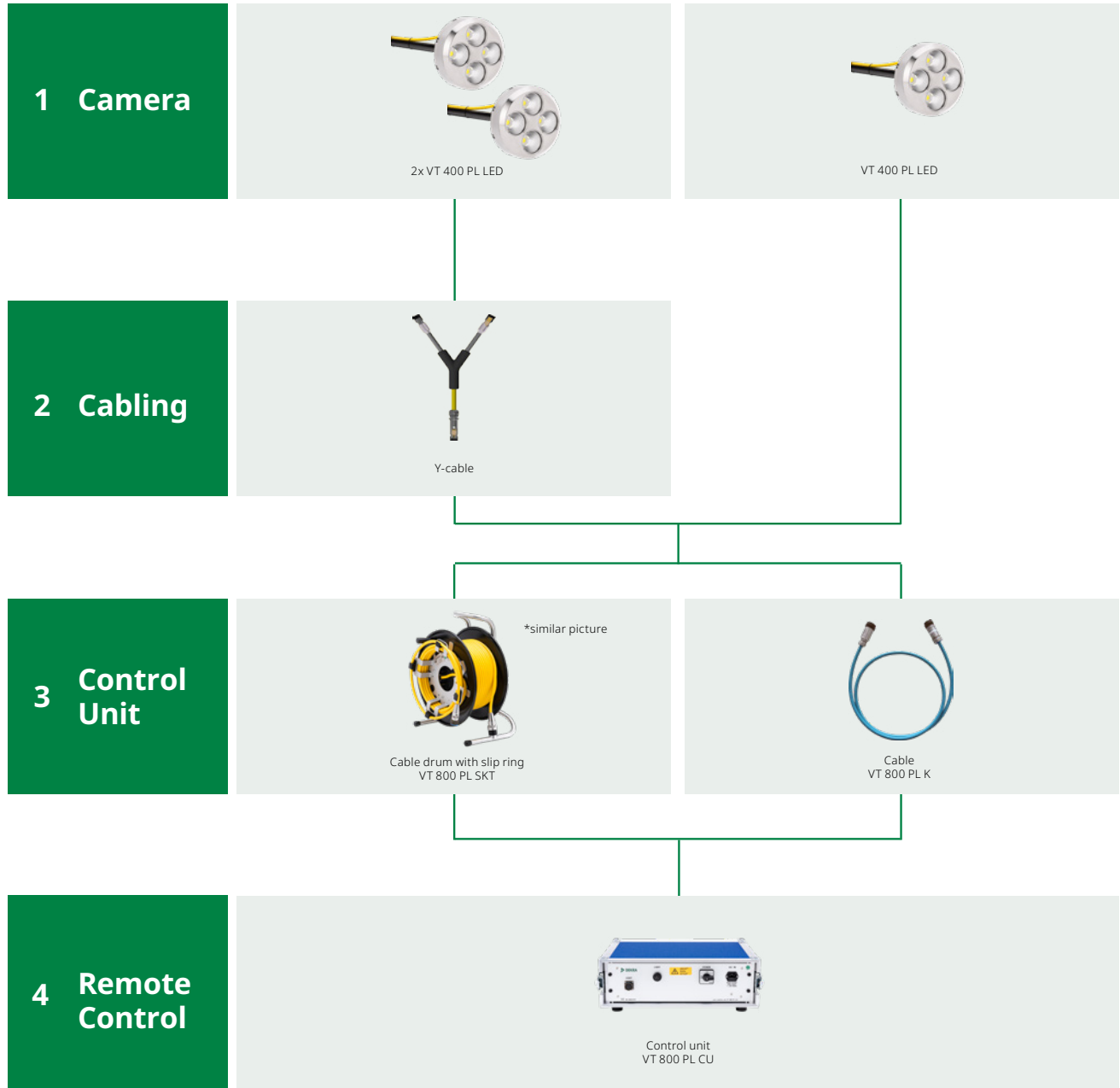
* unit in mm

*glass becomes brown



Setup

Possible combinations



Accessories



Mounting panel

Customized brackets can be mounted on the back of the lighting system



Mounting bracket

Mounting bracket with socket for the VT 29 GR carbon poles



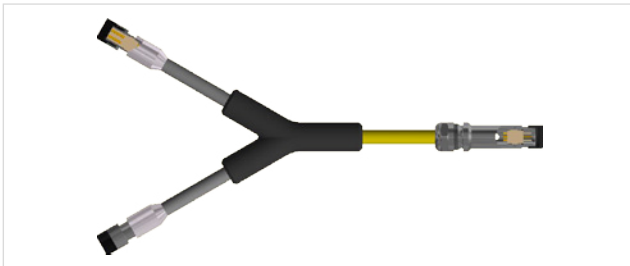
VT 29 carbon poles - 29 or 42 mm diameter

Connectable carbon poles for deployment of cameras and tools - standard lengths are 1 and 2 m



Manhole holder

Versatile positioner for 29 or 42 mm carbon poles



Adapter cable

Y-piece for connecting 2x VT 400 PL LED b to the VT 800 PL CU control unit



VT GH Vario tool holder

Variable railing bracket with stainless steel adapter for connecting the camera to 29 or 42 mm diameter carbon poles

DEKRA Visatec GmbH
Gewerbepark 7
87477 Sulzberg/See Germany
Tel. + 49.8376.9215 0
info.dvg@dekra.com

dekra-visatec.com