

VT 1011 SE

suction device

brochure



VT 1011 SE underwater suction device for FOSAR applications

Underwater suction device for the recovery of foreign objects and small parts

Features

- ▶ Watertight up to 50 m
- ▶ Several stainless steel filters (100 µm, 500 µm, 3 mm) available
- ▶ Carbon pole endlessly extendable
- ▶ Cable reel with integrated control unit
- ▶ Filter remotely detachable under water

Applications

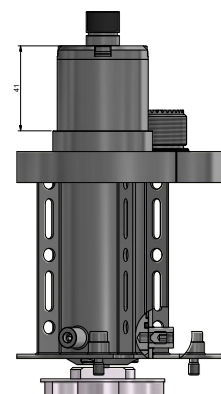
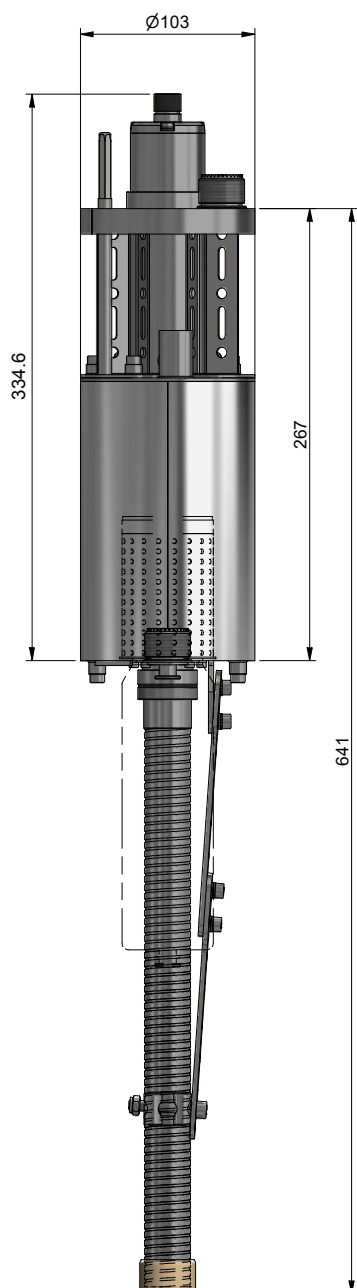
- ▶ Safe removal of debris under water
- ▶ Retrieval of small parts (max. Ø 20 mm)

Technical specifications - VT 1011 SE suction device system

This document is for general information only,
please consult the system manual for detailed specifications

Housing	stainless steel
Dimension (ø x L)	103x641 mm
Weight	3.5 kg
Watertight	5 bar / 50 m
Sieve filter size	3 mm (sieve filter)
Fabric filter size	500 µm
Fabric filter size	100 µm
Power supply	---
Operating temperature water	---
Operating temperature air	---
Radiation tolerant	---
Total dose	---
Optionals	---
Features	---

* unit in mm



Setup

Possible combinations



1 Suction device



VT 1011 SE

2 Control unit



*similar picture

Control unit integrated in
VT 1011 SKT

Accessories



Filter, basic configuration

A sieve filter with a mesh size of 3 mm and two fine filters (100 µm, 500 µm mesh size) are included in the scope of delivery



Various filters

Various filters are available in different materials (stainless steel, plastic) and mesh sizes depending on customer requirements



VT 29 carbon poles - 29 or 42 mm diameter

Connectable carbon poles for deployment of cameras and tools - standard lengths are 1 and 2 m



VT GH Vario tool holder

Variable railing bracket with stainless steel adapter for connecting the camera to 29 or 42 mm diameter carbon poles

DEKRA Visatec GmbH

Gewerbepark 7
87477 Sulzberg/See Germany
Tel. + 49.8376.9215 0
info.dvg@dekra.com

dekra-visatec.com