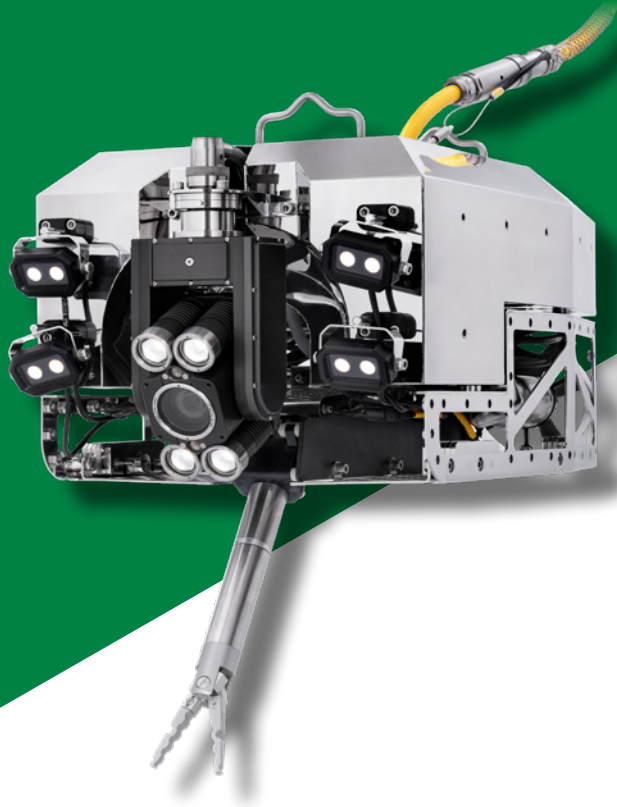


# VT Delfin submarine system brochure



## VT Delfin system

**Extremely compact, watertight and maneuverable submarine with integrated PTZ camera and gripper for visual inspection and FOSAR in nuclear power plants**

### Features

- ▶ High maneuverability with movements in 3 dimensions
- ▶ Integrated FullHD PTZ inspection camera or high-rad tube camera
- ▶ Integrated extendable and tiltable gripper with 360° rotation head
- ▶ Integrated line laser for measurements of cracks etc.
- ▶ Rear view camera with lighting

### Applications

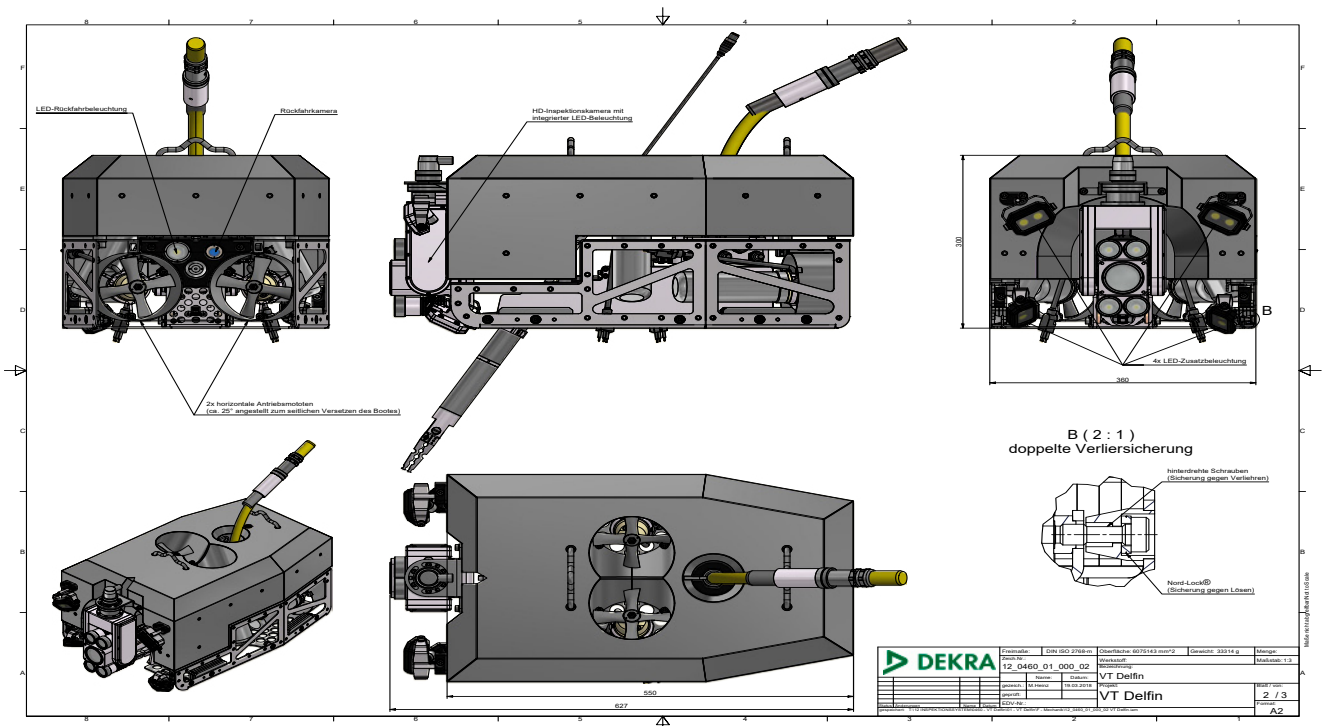
- ▶ RPV and RPV internals
- ▶ Reactor coolant line and pump
- ▶ Pressurizer
- ▶ Steam generator primary side system
- ▶ All kind of FOSAR applications
- ▶ All kind of tank inspections

# Technical specifications - VT Delfin system

This document is for general information only,  
please consult the system manual for detailed specifications

Housing	stainless steel
Dimension	627x360x300 mm
Weight	27 kg
Speed	---
Operating temperature	---
Watertight	5 bar / 50 m
Lighting	4x LED spots
Luminous flux	~ 14,640 lm
Optionals	---
Features	FullHD or high-rad inspection camera in the front additional lights for better visibility rear camera rear view light integrated gripper on the bottom

\* unit in mm



# Setup

## Possible combinations



### 1 Delfin



Submarine

### 2 Cabling



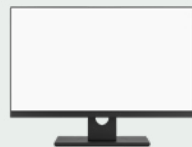
Cable drum  
VT 420-3 SKT

### 3 Control Unit



Control unit  
VT 270-3 CU

### 4 Add-ons



Monitor



Remote control  
VT 270-3 XFB

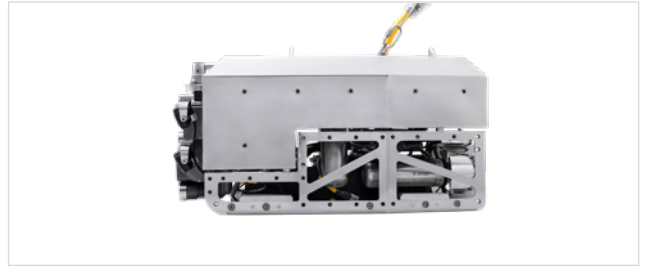


Remote control  
VT 270-3 FB

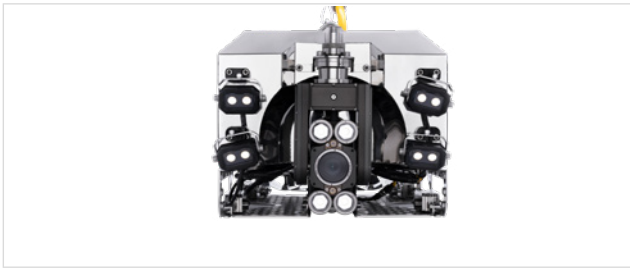
## Overview



VT Delfin ISO view



VT Delfin side view



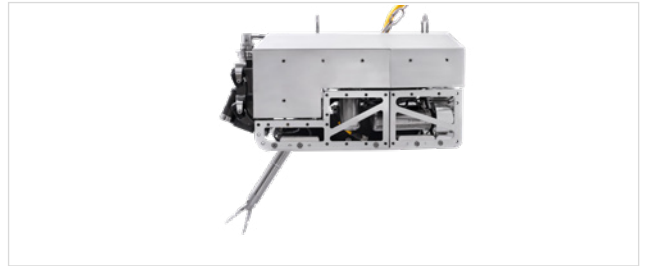
VT Delfin front view



VT Delfin rear view



VT Delfin ISO view with gripper



VT Delfin side view with gripper

**DEKRA Visatec GmbH**  
Gewerbepark 7  
87477 Sulzberg/See Germany  
Tel. + 49.8376.9215 0  
info.dvg@dekra.com

[dekra-visatec.com](https://www.dekra-visatec.com)