

# VT 800 PL LED *lighting system* brochure



## VT 800 PL LED nuclear lighting system

Radiation resistant lighting system for perfect illumination of large spent fuel pools from the air and under water

### Applications

- ▶ Powerful, mobile lighting unit for illumination of all underwater and in-air applications where optimal visibility is needed
- ▶ Perfectly suited for all manners of longer illumination tasks in reactor vessels or fuel pools
- ▶ Due to its internal temperature control features, it can also be used in-air with automatically controlled illumination intensity
- ▶ The FME approved design guarantees no loose parts in pool water

### Features

- ▶ High illumination with an output of 95,000 lm
- ▶ Watertight up to 50 m
- ▶ Overheating protection
- ▶ LED light continuously dimmable
- ▶ High radiation resistant with optional non-browning glass
- ▶ Various frames and holders available, according to customer needs

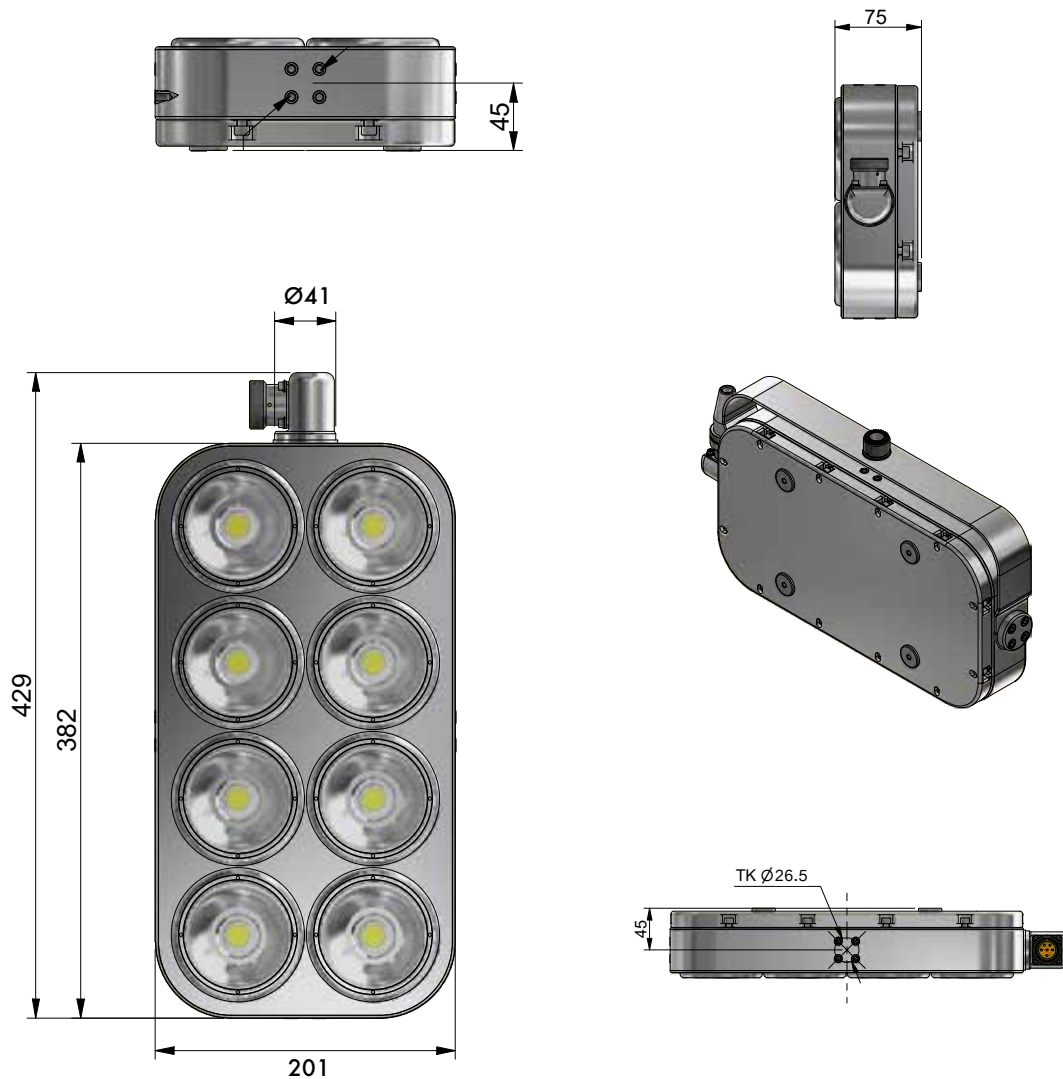
## Technical specifications - VT 800 PL LED lighting

This document is for general information only, please consult the system manual for detailed specifications

|                               |  |
|-------------------------------|--|
| Material                      | stainless steel  |
| Dimension (WxHxD)             | 429x201x75 mm  |
| Weight                        | 10.85 kg   |
| Watertight                    | 5 bar / 50 m   |
| Lighting                      | 8x LED   |
| Luminous flux                 | 95.000 lm  |
| Automatic overheat protection | Step 1 over 80°C = 22,000 lm<br>Step 2 over 90°C = 12,000 lm |
| Color tempaure                | 5.700 K  |
| Lighting beam                 | 36°  |
| Operating temperature water   | ---  |
| Operating temperature air     | ---  |
| Radiation tolerant            | 192,500 rad/h (1,925 Gy/h)*                                  |
| Total dose                    | 4,810,000 rad (48,100 Gy)                                    |
| Optionals                     | non-browning glass   |

\*glass becomes brown

\* unit in mm



# Setup

## Possible combinations



### 1 Lighting



VT 800 PL LED

### 2 Cabling



Cable drum with slip ring  
VT 800 PL SKT

\*similar picture



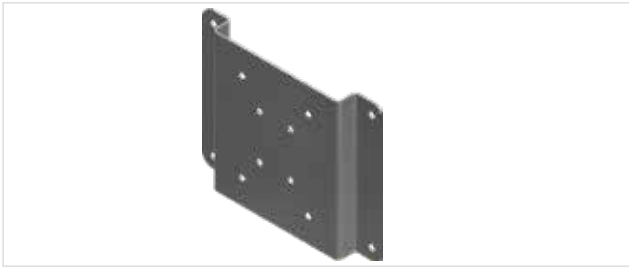
Cable  
VT 800 PL K

### 3 Control unit



Control unit  
VT 800 PL CU

## Accessories



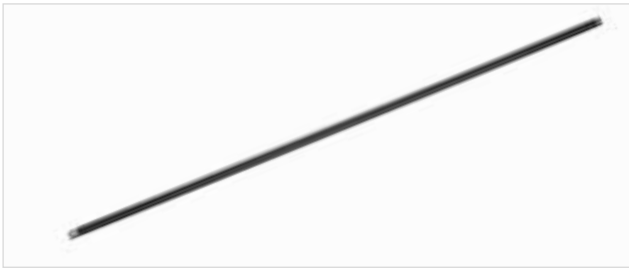
### Mounting panel (optional)

Customized brackets can be mounted on the back of the lighting system



### Mounting bracket (optional)

Mounting bracket with socket for the VT 29 GR carbon poles



### VT 29 carbon poles - 29 or 42 mm diameter

Connectable carbon poles for deployment of cameras and tools - standard lengths are 1 and 2 m



### Manhole holder

Versatile positioner for 29 or 42 mm carbon poles



### VT GH Vario tool holder

Variable railing bracket with stainless steel adapter for connecting the camera to 29 or 42 mm diameter carbon poles

## DEKRA Visatec GmbH

Gewerbepark 7, 87477 Sulzberg/See  
Germany  
Tel. + 49.8376.9215 0  
info.dvg@dekra.com

[www.dekra-visatec.com](http://www.dekra-visatec.com)

