

VT 300-3 CU control unit brochure



VT 300-3 CU control unit

Rack-mountable 19" control unit for various camera and ROV systems

Features

- ▶ 19-inch format, also suitable for all industrial cabinets
- ▶ The control unit is well protected in the case or easily transportable with the hand-carrying strap
- ▶ Additional devices such as monitor and recorder can be connected to the video outputs of the control unit

Applications

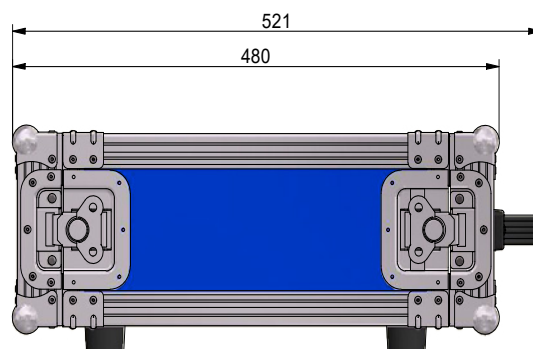
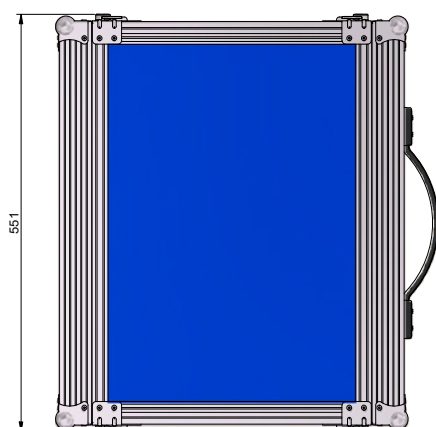
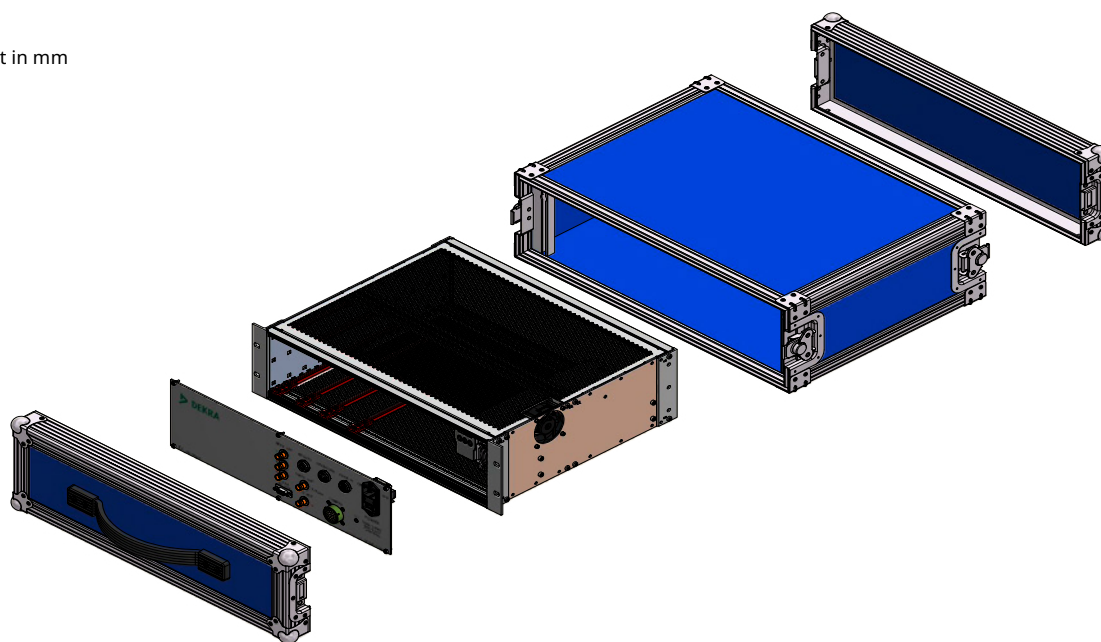
- ▶ Perfectly suited for the control DEKRA Visatec inspection cameras and inspection systems
- ▶ Camera and crawler functions are controlled by the corresponding remote control

Technical specifications – VT 300-3 CU control unit

This document is for general information only,
please consult the system manual for detailed specifications

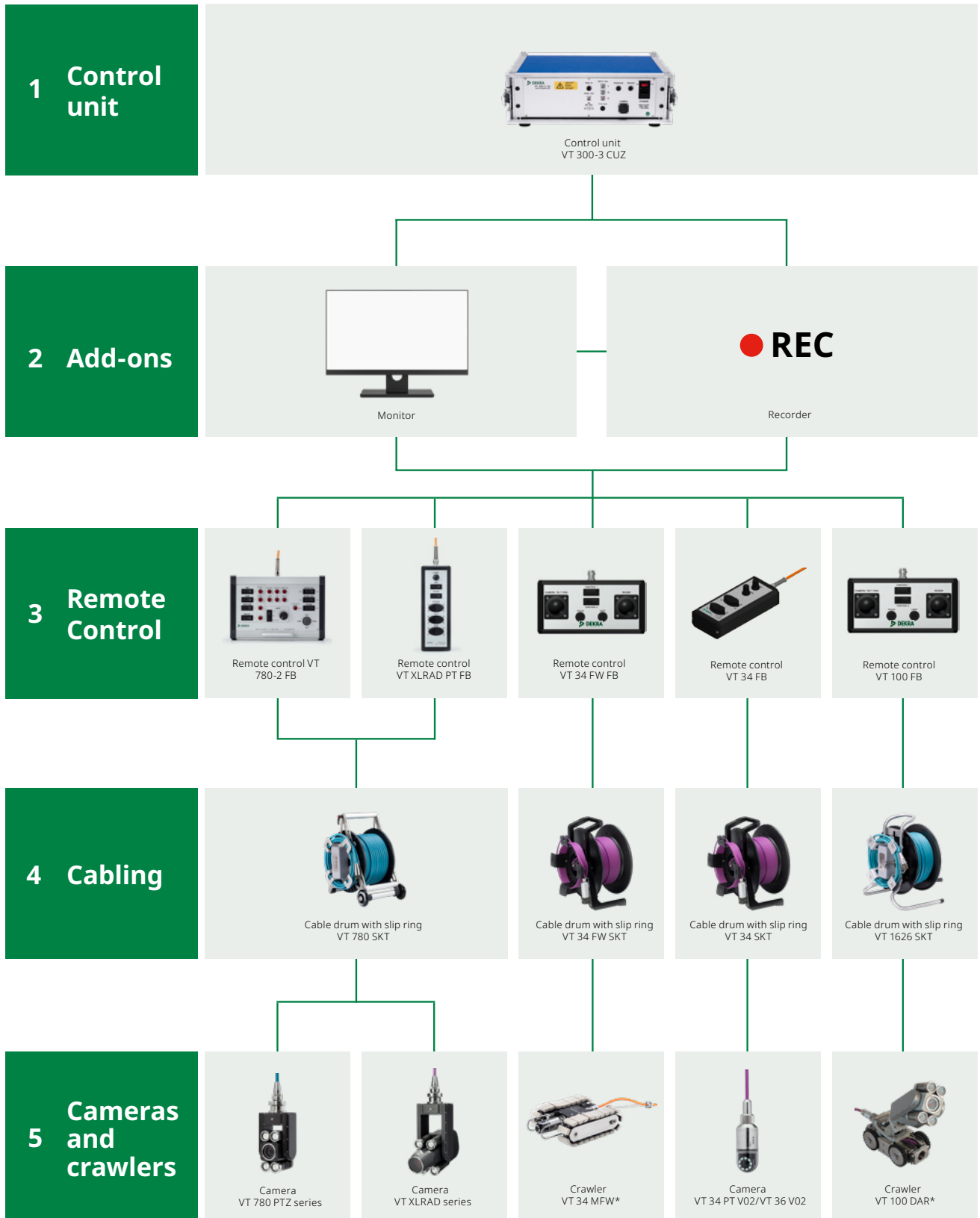
Housing	19" standard rack 3HE
Dimension	55.1x48x19.4 cm
Weight	15.4 kg
Video output	Y/Pb/Pr / CVBS / Y/C out
Connections	data (RS 232), remote, keyboard, data in, camera
Power consumption	650 W
Input voltage	90-264 V AC / 47-63 Hz
Operating temperature	---
Recording	n/a
Monitor	n/a
Resolution	---
Brightness	---
Contrast	---
Reaction time	---
Optionals	monitor, keyboard
Features	---

* unit in mm



Setup

Possible combinations



* extra power amplifier required in the control unit

Overview



VT 300-3 CU front perspective



VT 300-3 CU front



VT 300-3 CU closed

Optional



VICOS text inserter

Video insertion system for text and information display - documentation for video inspections and monitoring applications (CVBS / SD / Y/Pb/Pr)

DEKRA Visatec GmbH
Gewerbepark 7
87477 Sulzberg/See Germany
Tel. + 49.8376.9215 0
info.dvg@dekra.com

dekra-visatec.com