

VT 6360 CU

control unit brochure



VT 6360 CU control unit

Portable control unit with integrated 21.5" FullHD display, recorder, text inserter, microphone jack and external SDI+HDMI connector

Features

- ▶ The control unit is available with different, removable remote controls
- ▶ Possible to connect a crawler or manipulators
- ▶ Additional devices such as monitor and recorder can be connected to the video outputs of the control unit
- ▶ The control unit is well protected in the very robust "Peli Storm" trolley case - easy handling and convenient transport
- ▶ Option of adding texts and insertion of data - input of external incremental and encoder values for display in the video image
- ▶ Microphone for sound recording on the video

Applications

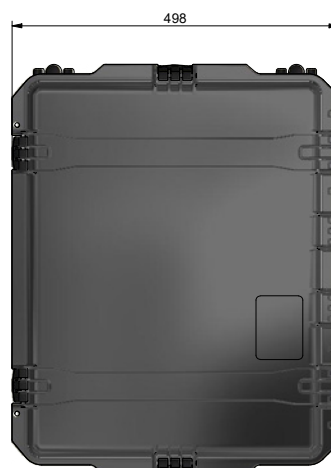
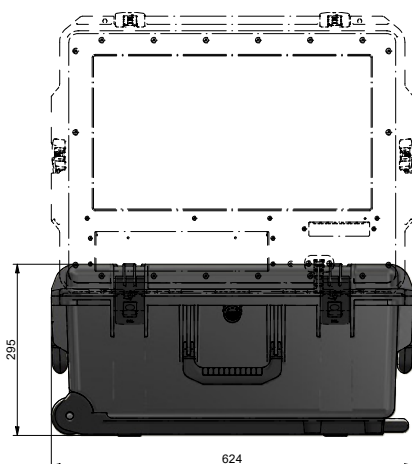
- ▶ Multifunctional control unit for cameras and manipulators from our product line

Technical specifications – VT 6360 CU control unit

This document is for general information only,
please consult the system manual for detailed specifications

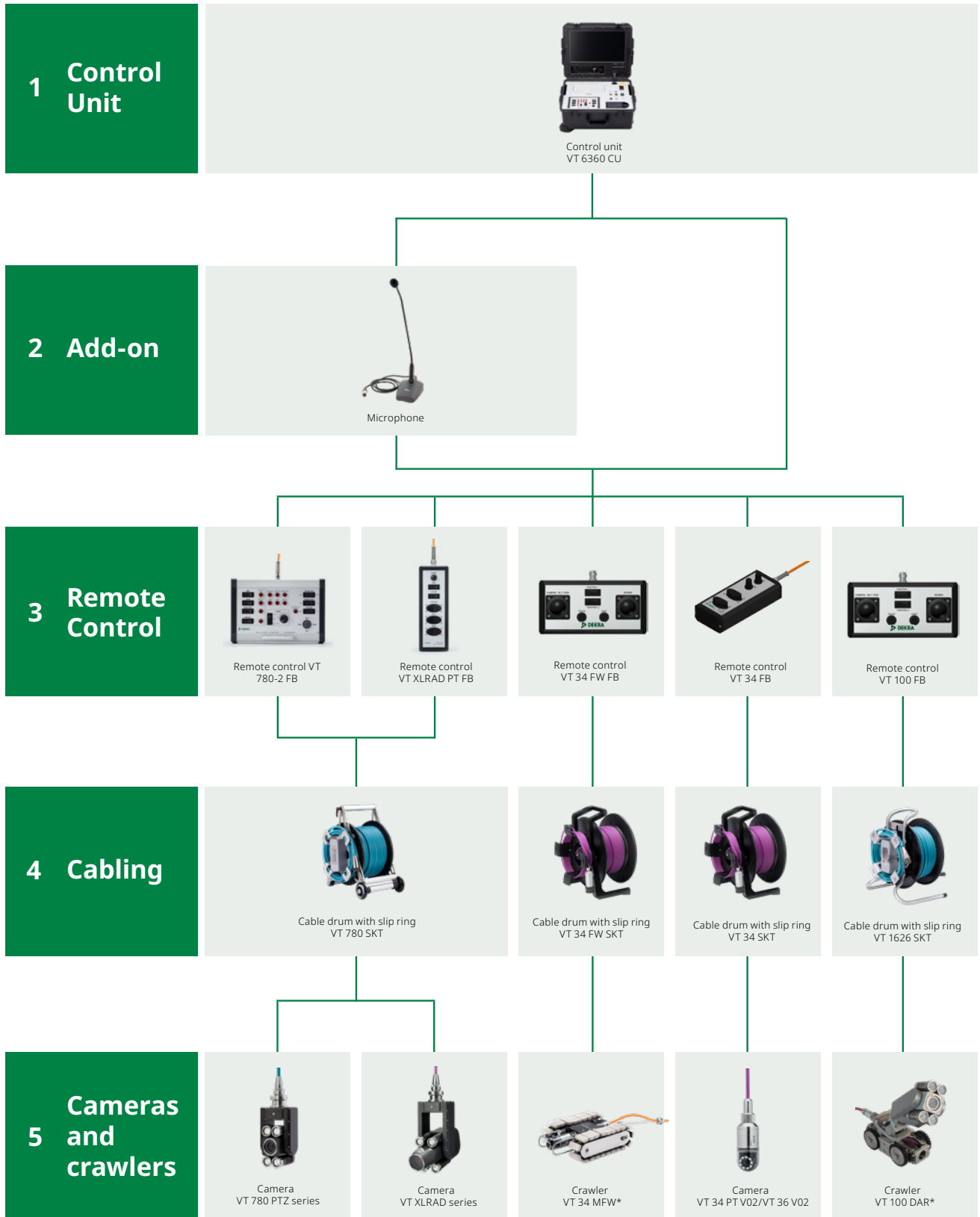
Housing	pelicase
Dimension	62.4x49.8x29.5 cm
Weight	23.5 kg
Video output	SDI/HDMI
Connections	data in / microphone in / camera
Power consumption	650 W
Input voltage	90-264 V AC / 47-63 Hz
Operating temperature	---
Recording	blackmagic video assist 5" 3G
Monitor	21.5"
Resolution	full HD
Brightness	250 cd/m2
Contrast	1,000:1
Reaction time	5 ms or better
Optionals	---
Features	---

* unit in mm



Setup

Possible combinations



* extra power amplifier required in the control unit

Overview



VT 6360 CU transport case



VT 6360 CU open



VT 6360 CU + VT XLRAD PT FB



VT 6360 CU + VT 780-2 FB



VT 6360 CU monitor



VT 6360 CU open, control panel

DEKRA Visatec GmbH
Gewerbepark 7
87477 Sulzberg/See Germany
Tel. + 49.8376.9215 0
info.dvg@dekra.com

dekra-visatec.com